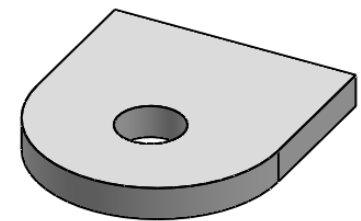
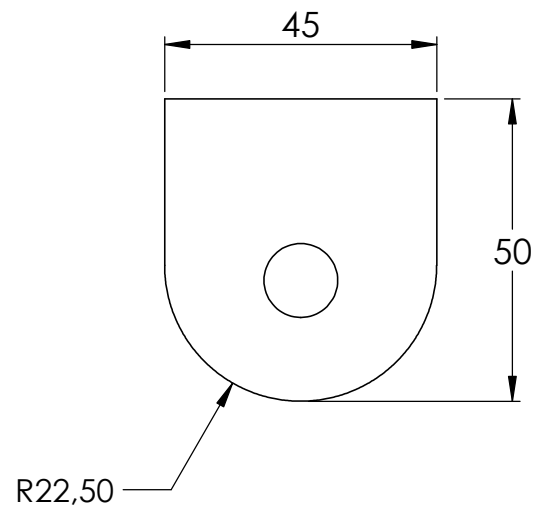
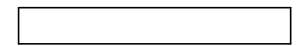
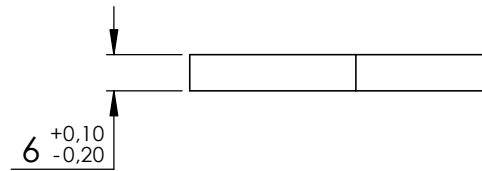
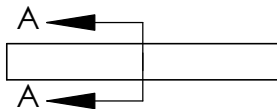
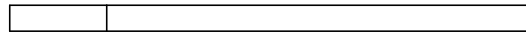
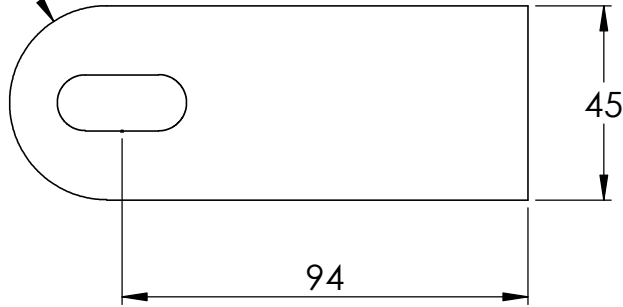
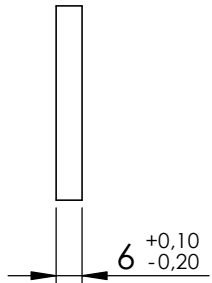


SCHNITT A-A

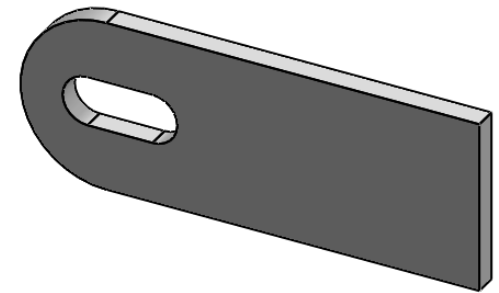
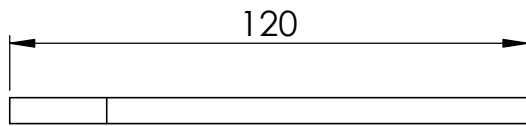
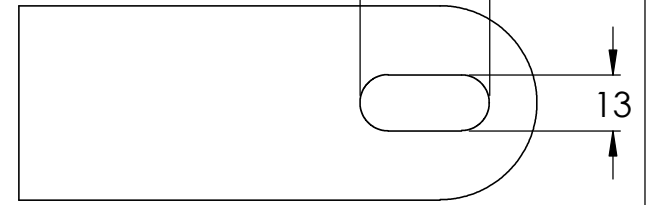


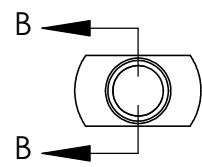
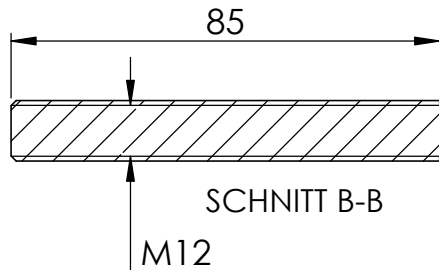


R22,50



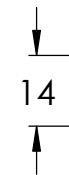
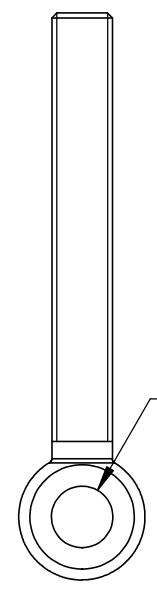
30





R12,50

Detailed description: A dimension line with an arrow pointing to the fillet radius of the shaft's end, labeled 'R12,50'.

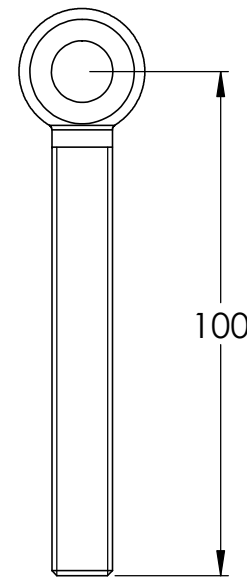


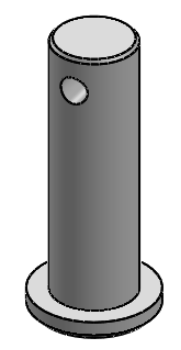
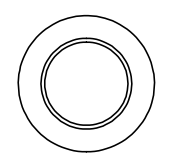
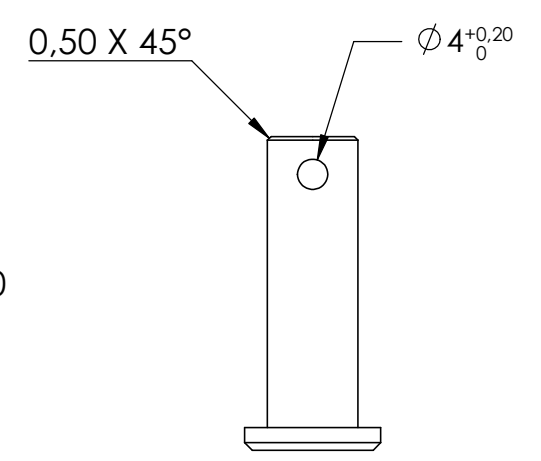
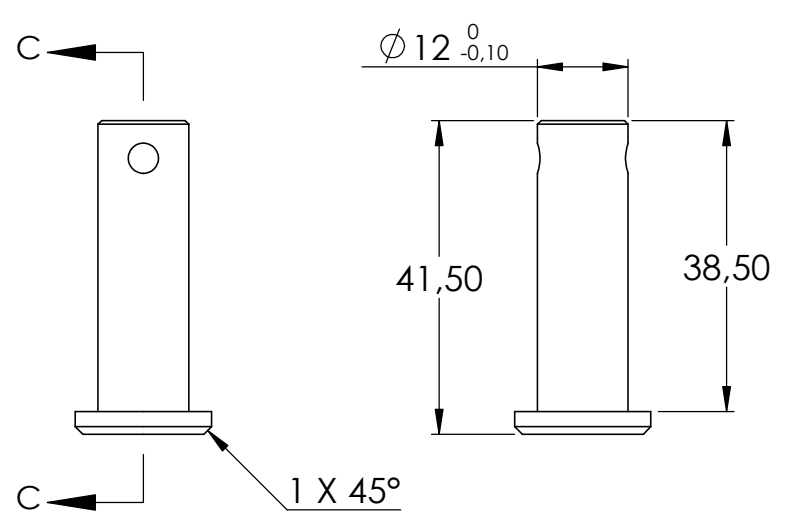
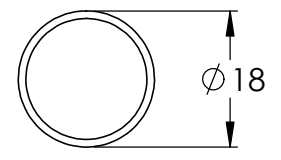
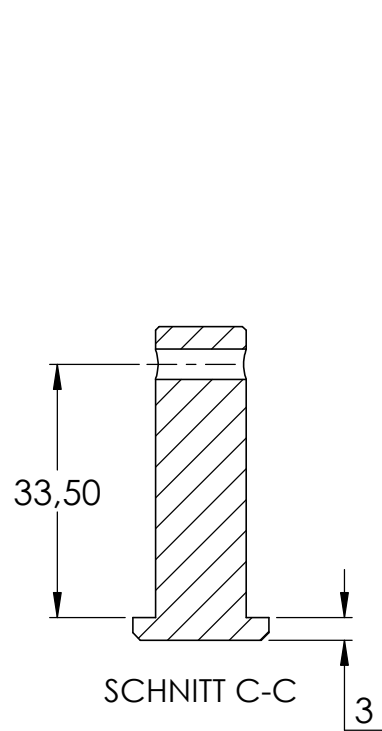
1 X 45°

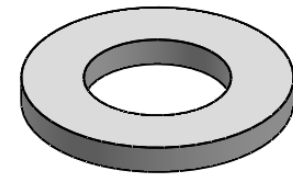
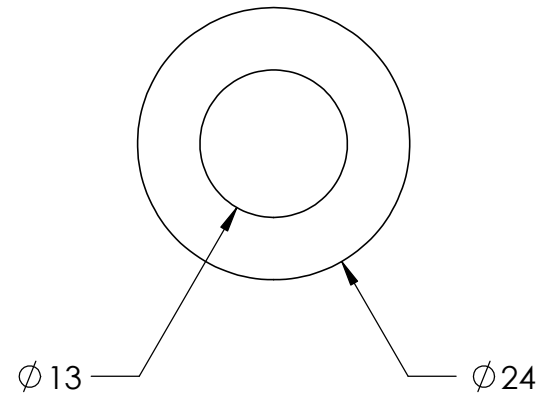
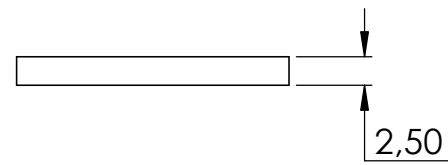
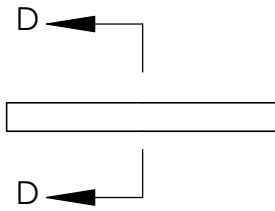
Detailed description: A dimension line with an arrow pointing to a chamfered edge, labeled '1 X 45°'.

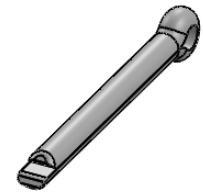
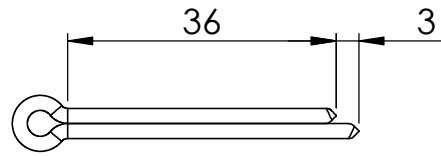
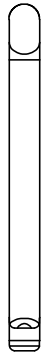
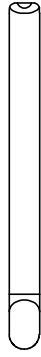
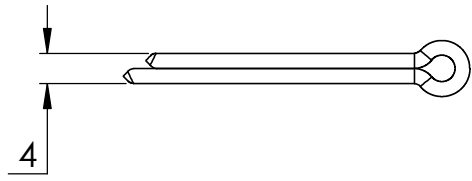
25

Detailed description: A horizontal dimension line with arrows at both ends, indicating a width of 25.









4	121-M12-V4A Teil4	1
5	121-M12-V4A Teil5	4
6	DIN 934 M12	2
7	DIN 94 4x36	1

